



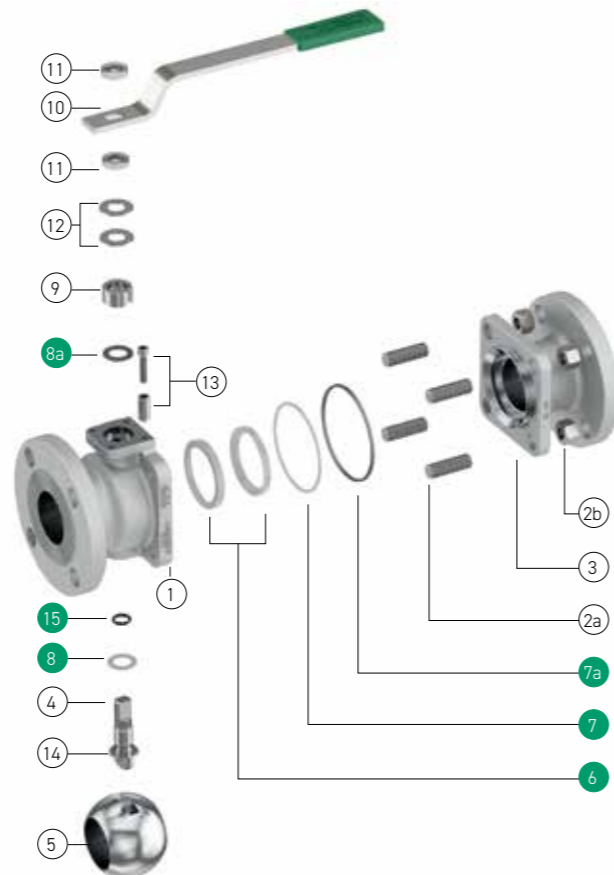
A64 ANSI150

flanged type ball valve, full bore

INVESTMENT CASTING BODY
CORPO DA FUSIONE

| PART NAME PARTICOLARE | Q.TY Q.TA' | MATERIALS MATERIALI | |
|--|---------------|------------------------------|---------------------|
| 1 body corpo | 1 | ASTM A216 WCB | ASTM A351 CF8M |
| 2a stud tirante | 4/8 | ASTM A193 B7 | ASTM A193 B8M |
| 2b nut dado | 4/8 | ASTM A194 2H | ASTM A194 B8 |
| 3 closure chiusura | 1 | ASTM A216 WCB | ASTM A351 CF8M |
| 4 stem stelo | 1 | ASTM A479 F6a (AISI 410) | ASTM A182 316/316L |
| 5 ball sfera | 1 | ASTM A351 CF8 | ASTM A351 CF8M |
| 6 seats sedi | 2 | TFM (PTFE + A.M. : DM = 200) | |
| 7 1 st body gasket guarnizione corpo int. | 1 | P.T.F.E. (DN < 80) | |
| 7a 2 nd body gasket guarnizione corpo est. | 1 | GRAPHOIL | |
| 8 washer bussola | 1 | P.T.F.E. | |
| 8a stem gasket guarnizione stelo | 1 | GRAPHOIL | |
| 9 gland premigarnizione | 1 | Carbon Steel Zinc Coated | Stainless Steel 316 |
| 10 lever leva | 1 | Carbon Steel Zinc Coated | |
| 11 stem nut dado stelo | 2 | Cl. 8 | A4-40 (AISI 316) |
| 12 spring washer molla a tazza | 2 | 51CrV4 Zinc Coated | AISI 316 |
| 13 stop device dispositivo di arresto | 1 | Cl. 8.8 Zinc Coated | AISI 316 |
| 14 antistatic device dispositivo antistatico | 2 | AISI 316 | |
| 15 stem O-ring O-ring stelo | 1 | VITON 75 Sh. A | |
| 16 body O-ring O-ring corpo | 1 | P.T.F.E. (DN > 100) | |

Spares parts / Parti di ricambio



STANDARD FEATURES CARATTERISTICHE STANDARD

| |
|--|
| Flange Facing RF according to / Finitura Flange RF secondo : ASME B16.5, ANSI 150 |
| Flange drilling, smooth holes according / Foratura flange, fori lisci secondo : ASME B16.5, ANSI 150 |
| Face to face / Scartamento : ASME B16.10, ANSI 150 |
| Design according to / Progettazione secondo : ASME B16.34, EN 12516-1, PED 2014/68/UE |
| Fire Safe Design and Construction according to / Costruzione e assemblaggio Fire Safe secondo : EN ISO 10497, API 6FA, API 607 |
| Antistatic Device according to / Dispositivo antistatico secondo : BS 5146 |
| Tightness class / Classe di tenuta VI (FCI 70-2 - ANSI B 16.104) |
| Stem sealing with O-ring, Anti Blow-out stem / Tenuta stelo con O-Ring, stelo anti-espulsione |
| Actuator coupling flange according to / Flangia integrata per montaggio comando secondo : ISO 5211 |

A64 ANSI 150 CARBON STEEL BODY / CORPO ACCIAIO AL CARBONIO

| DN | VALVE RATING | VALVE CODE | DESCRIPTION | VALVE PRICE (€) | KIT CODE | KIT PRICE (€) |
|-----|--------------|----------------------|--------------------------------|-----------------|---------------|---------------|
| 25 | ANSI 150 | A6425A1C1-0001-M0010 | ALFA64 DN25 ANSI150 WCB FS RF | | KGA6425A1-001 | |
| 50 | ANSI 150 | A6450A1C1-0001-M0010 | ALFA64 DN50 ANSI150 WCB FS RF | | KGA6450A1-001 | |
| 80 | ANSI 150 | A6480A1C1-0001-M0010 | ALFA64 DN80 ANSI150 WCB FS RF | | KGA6480A1-001 | |
| 100 | ANSI 150 | A64A0A1C1-0001-M0010 | ALFA64 DN100 ANSI150 WCB FS RF | | KGA64A0A1-002 | |
| 150 | ANSI 150 | A64A5A1C1-0001-M0010 | ALFA64 DN150 ANSI150 WCB FS RF | | KGA64A5A1-001 | |
| 200 | ANSI 150 | A64B0A1C1-0001-K0010 | ALFA64 DN200 ANSI150 WCB FS RF | | KGA64B0A1-001 | |

WCB

(*) BARE STEM VALVE- VALVOLA A STELO NUDDO

A64 ANSI 150 STAINLESS STEEL BODY / CORPO ACCIAIO INOSSIDABILE

| DN | VALVE RATING | VALVE CODE | DESCRIPTION | VALVE PRICE (€) | KIT CODE | KIT PRICE (€) |
|-----|--------------|----------------------|---------------------------------|-----------------|---------------|---------------|
| 15 | ANSI 150 | A6415A1S2-0001-M0000 | ALFA64 DN15 ANSI150 CF8M FS RF | | KGA6415A1-001 | |
| 20 | ANSI 150 | A6420A1S2-0001-M0000 | ALFA64 DN20 ANSI150 CF8M FS RF | | KGA6420A1-001 | |
| 25 | ANSI 150 | A6425A1S2-0001-M0000 | ALFA64 DN25 ANSI150 CF8M FS RF | | KGA6425A1-001 | |
| 40 | ANSI 150 | A6440A1S2-0001-M0000 | ALFA64 DN40 ANSI150 CF8M FS RF | | KGA6440A1-001 | |
| 50 | ANSI 150 | A6450A1S2-0001-M0000 | ALFA64 DN50 ANSI150 CF8M FS RF | | KGA6450A1-001 | |
| 80 | ANSI 150 | A6480A1S2-0001-M0000 | ALFA64 DN80 ANSI150 CF8M FS RF | | KGA6480A1-001 | |
| 100 | ANSI 150 | A64A0A1S2-0001-M0000 | ALFA64 DN100 ANSI150 CF8M FS RF | | KGA64A0A1-002 | |
| 150 | ANSI 150 | A64A5A1S2-0001-M0000 | ALFA64 DN150 ANSI150 CF8M FS RF | | KGA64A5A1-001 | |
| 200 | ANSI 150 | A64B0A1S2-0001-K0000 | ALFA64 DN200 ANSI150 CF8M FS RF | | KGA64B0A1-001 | |

CF8M

(*) BARE STEM VALVE- VALVOLA A STELO NUDDO



Product codes in bold are related to product available on stock; delivery time within 3 weeks based on ordered quantity.

All other codes are related to product ready for assembly; delivery time within 5 weeks based on ordered quantity.

Missing Sizes and Special Executions are available upon request. Please contact Sales Dept. for availability and delivery time

I codici in grassetto indicano prodotti normalmente disponibili a stock; consegna entro 3 settimane secondo quantità ordinate

Gli altri codici indicano prodotti disponibili per assemblaggio; consegna entro 5 settimane secondo quantità ordinate

Dimensioni mancanti ed esecuzioni speciali sono disponibili su richiesta. Si prega contattare Ufficio commerciale per disponibilità e consegne