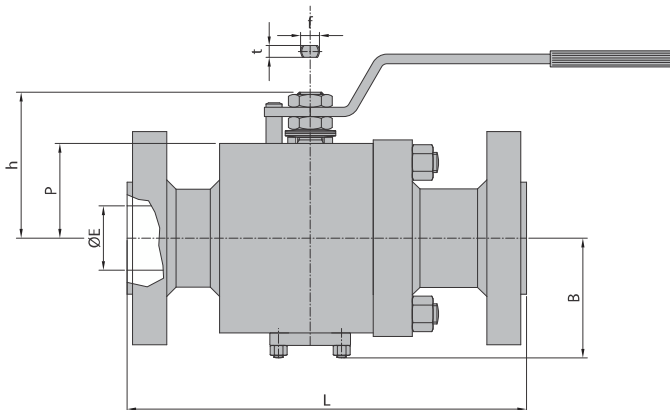




BIDIREZIONALE DOUBLE BLOCK AND BLEED SCARICO AUTOMATICO DEL CORPO

Dimensionamenti
Design ASME B16.34/API 608/EN 12569 / EN 17292
ASME VIII DIV.1 / EN 12516-1

Estremità flangiate
Flanged ends ASME B16.5 CL.150/300/600/900/1500
EN 1092-1 PN 10/16/25/40/63/100
DIN 2632/2633/2634/2635/2636/2637/2638



Dimensioni - *outline dimensions*

	DN	15	20	25	40	50	80	100	150
	Ø	1/2"	3/4"	1"	1 1/2"	2"	3"	4"	6"RB
	ØE	14	19	24	38	51	76	102	152
Cl.150	L	140	152	165	191	178	203	229	394 PN10-16
	h	82	82	83	96	103	128	157	157
	P	48	48	50	63	69	89	111	111
	B	73	73	68	81	87	114	125	125
	F/t	16/10	16/10	16/10	16/10	16/10	22/14	30/18	30/18
ISO 5211	F05	F05	F05	F05	F05	F07	F10	F10	F10
Cl.300	L	140	152	165	191	216	283	305	403 PN25-40
	h	82	82	83	96	103	128	180	180
	P	48	48	50	63	69	89	114	114
	B	73	73	68	81	87	114	125	125
	F/t	16/10	16/10	16/10	16/10	16/10	22/14	45/30	45/30
ISO 5211	F05	F05	F05	F05	F05	F07	F14	F14	F14
Cl.600	L	165	191	216	241	292	356	432	559 PN64-100
	h	82	82	83	104	112	143	199	199
	P	48	48	50	65	75	95	124	124
	B	73	73	68	83	95	115	159	159
	F/t	16/10	16/10	16/10	22/14	22/14	30/18	45/30	45/30
ISO 5211	F05	F05	F05	F07	F07	F10	F14 ⁽¹⁾	F14 ⁽¹⁾	F14 ⁽¹⁾
Cl.900	L	216	229	254	305	268			PN160
	h	79	79	79	104	116			
	P	55	55	55	65	75			
	B	73	73	73	98	100			
	F/t	16/10	16/10	16/10	22/14	22/14			
ISO 5211	F05	F05	F05	F07	F07				
Cl.1500	L	216	229	254					PN250
	h	79	79	79					
	P	55	55	55					
	B	73	73	73					
	F/t	16/10	16/10	16/10					
ISO 5211	F05	F05	F05						

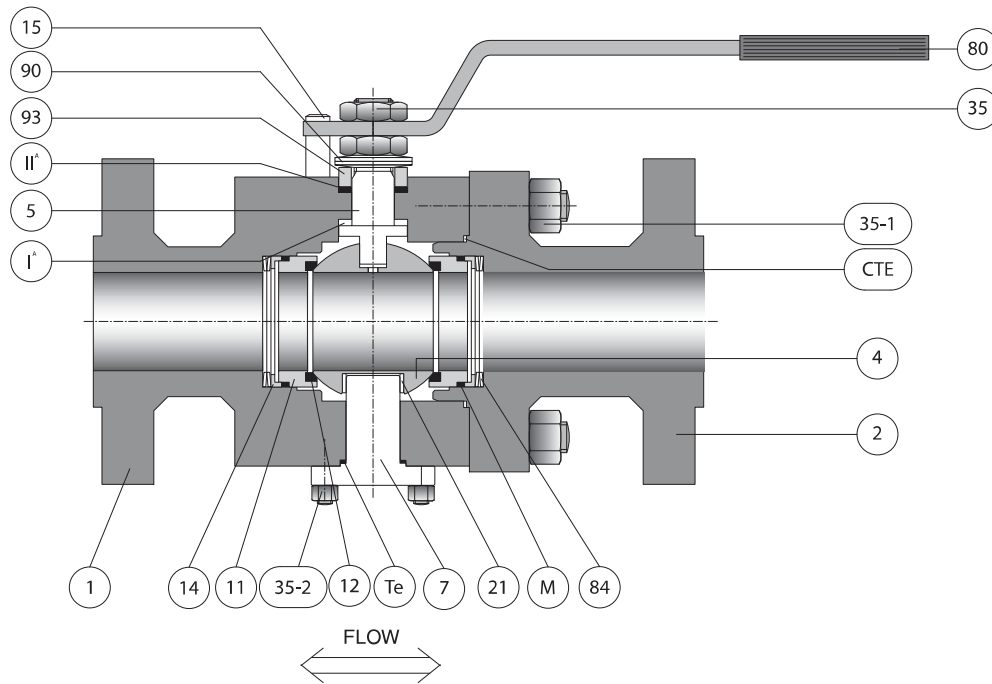
VALVOLE A SFERA VINCOLATA A SEGGI METALLICI

TRUNNION MOUNTED METAL SEATED BALL VALVES



BI-DIRECTIONAL
DOUBLE BLOCKED AND BLEED
AUTOMATIC BODY CAVITY RELIEF

-46 °C +400 °C



Materiali base - base materials

Te	Guarn. Corpo/Coperchio	Body Cover gasket	Grafoil	Grafoil
CTe	Guarn. Corpo/Terminale	Body connector gasket	Grafoil	Grafoil
M	Guarn. Retroseggio	Backseat gasket	Grafoil	Grafoil
IIA	Guarnizione Secondaria	Secondary Stem seal	Grafoil	Grafoil
IA	Guarnizione Primaria	Primary stem seal	Grafoil	Grafoil
93	Premi Baderna	Gland	304 s.s.	304 s.s.
90	Molle Stelo	Stem spring	UNS S30100	UNS S30100
84	Molle Seggio	Seat spring	UNS S30100	UNS S30100
80	Leva	Handle	Fe37 UNI 7070	Fe37 UNI 7070
35-2	BulloneriaCorpo/Coperchio	Body/Cover Bolts	A193 B7 A194 Gr.2H	A193 B8M A194 Gr.Gr.8M
35-1	BulloneriaCorpo/Terminale	Body/Connector Bolts	A193 B7 A194 Gr.2H	A193 B8M A194 Gr.Gr.8M
35	Dadi Stelo	Nut	304 S.S.	304 S.S.
21	Bussola Strisciamento	Trunnion Bearing	DU/BM	DU/BM
15	Fermo Leva	Lever stopper	Gr. 8.8 UNI 3740	Gr. 8.8 UNI 3740
14	Premigrafoil	Compression ring	A479 Tp.316	A479 Tp.316
13	Cassetto Corpo	Body seat holder	A479 Tp.316	A479 Tp.316
12	Seggio	Seat	PENTAFITE ST6 WC/CRC	PENTAFITE ST6 WC/CRC
11	Cassetto Terminale	Connector seat holder	A479 Tp.316	A479 Tp.316.
6	Coperchio Inferiore	Lower Cover	A105	
5	Stelo	Stem	420 s.s.A564 Tp.630(17/4PH)	A564 Tp.630(17/4PH)
-	Riporto Sfera	Ball coating	HTC/HCR ST6 WC/CRC	HTC/HCR ST6 WC/CRC
4	Sfera	Ball	316 s.s.	316 s.s.
2	Terminale	Connector	A105	A479 Tp.316
1	Corpo	Body	A105	A479 Tp.316

P. No. Parte - Part Name

Materiale - Material

Altri materiali disponibili su richiesta - Other materials are available on request
Altre estremità disponibili su richiesta - Other end connections available on request