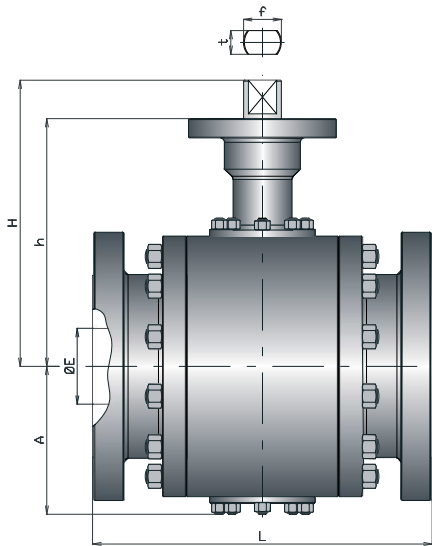




## BIDIREZIONALE DOUBLE BLOCK AND BLEED SCARICO AUTOMATICO DEL CORPO

Dimensionamenti ASME B16.34 / EN 12569 / EN 17292 / ASME VIII  
DIV.1 EN 12516-1

Estremità flangiate ASME B16.5 CL. 150/300/600  
EN 1092-1 PN 10/16/25/40/63/100  
DIN 2632-33-34-35-36-37-38  
GOST 54432 / GOST 12815



### Dimensioni - *outline dimensions*

|            | DN       | 150     | 200     | 250     |
|------------|----------|---------|---------|---------|
|            | Ø"       | 6"      | 8"      | 10"     |
| ANSI 150   | ØE       | 152     | 203     | 254     |
| PN10 - 16  | L        | 394     | 457     | 533     |
|            | A        | 175     | 210     | 255     |
|            | h        | 239     | 266     | 329     |
|            | H        | 290     | 317     | 408     |
|            | f / t    | 45 / 30 | 45 / 30 | 55 / 40 |
|            | ISO 5211 | F14     | F14     | F14     |
| ANSI 300   | ØE       | 152     | 203     | 254     |
| PN25 - 40  | L        | 403     | 502     | 568     |
|            | A        | 175     | 210     | 255     |
|            | h        | 244     | 266     | 329     |
|            | H        | 290     | 320     | 408     |
|            | f / t    | 45 / 30 | 45 / 30 | 55 / 40 |
|            | ISO 5211 | F14     | F14     | F14     |
| ANSI 600   | ØE       | 152     | 203     | 248     |
| PN64 - 100 | L        | 559     | 660     | 787     |
|            | A        | 185     | 235     | 275     |
|            | h        | 244     | 298     | 329     |
|            | H        | 290     | 377     | 408     |
|            | f / t    | 45 / 30 | 55 / 40 | 55 / 40 |
|            | ISO 5211 | F14     | F16     | F16     |

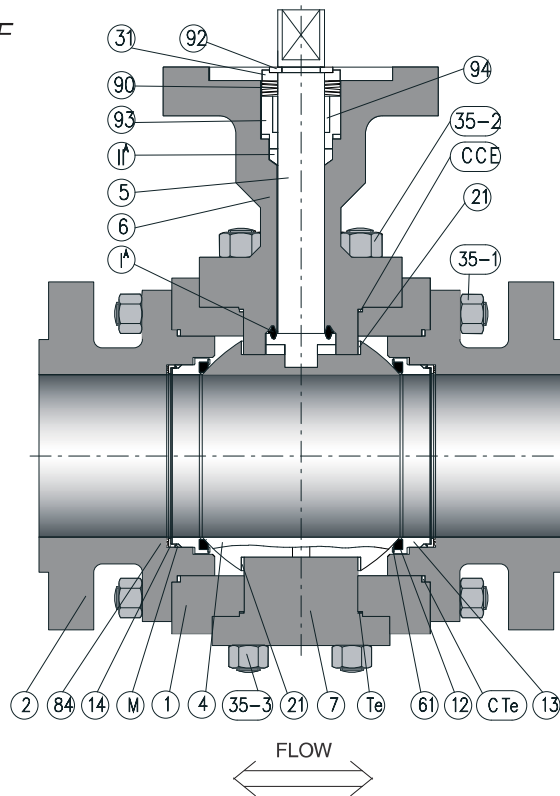
# VALVOLE A SFERA VINCOLATA A SEGGI METALLICI

## TRUNNION MOUNTED METAL SEATED BALL VALVES



BI-DIRECTIONAL  
DOUBLE BLOCKED AND BLEED  
AUTOMATIC BODY CAVITY RELIEF

-46 °C +400 °C



### Materiali base - base materials

|      |                               |                              |                            |          |
|------|-------------------------------|------------------------------|----------------------------|----------|
| TE   | Guarnizione Corpo / Cop. Inf. | Lower Cover Gasket           | Grafoil                    |          |
| CCE  | Guarnizione Corpo / Cop. Sup. | Upper Cover Gasket           | Grafoil                    |          |
| CTE  | Guarnizione Corpo / Terminale | Body / Connector Gasket      | Grafoil                    |          |
| M    | Guarnizione Retroseggio       | Seat Gasket                  | Grafoil                    |          |
| II^  | Guarnizione Secondaria        | Secondary Stem Seal          | Grafoil                    |          |
| I^   | Guarnizione Primaria          | Primary Stem Seal            | Grafoil                    |          |
| 94   | Bussola Strisciamento Stelo   | Stem Plain Bearing           | DU                         |          |
| 93   | Premi Baderna                 | Gland                        | 316 s.s.                   |          |
| 92   | Anello D'arresto Stelo        | Stem Retaining Ring          | 316 s.s.                   |          |
| 90   | Molle Stelo                   | Stem Spring                  | 301 s.s.                   |          |
| 84   | Molle Seggio                  | Seat Spring                  | X750                       |          |
| 61   | Supporto Seggio               | Seat Support                 | 316 s.s.                   |          |
| 35-3 | Bulloneria Corpo / Cop. Inf.  | Lower Cover Bolts            | B7/2H                      | B8/Gr.8  |
| 35-2 | Bulloneria Corpo / Cop. Sup.  | Upper Cover Bolts            | B7/2H                      | B8/Gr.8  |
| 35-1 | Bulloneria Corpo / Terminale  | Body / Connector Bolts       | B7/2H                      | B8/Gr.8  |
| 31   | Rondella Premi Molla          | Stem Spring Compression Ring | 316 s.s.                   |          |
| 21   | Bussola Strisciamento Trunn.  | Trunnion Plain Bearing       | DU / BM                    |          |
| 14   | Premigrafoil                  | Compression Ring             | 316 s.s.                   |          |
| 13   | Cassetto                      | Seat Holder                  | 316 s.s.                   |          |
| 12   | Seggio                        | Seat Insert                  | PENTAFITE<br>ST6<br>WC/CRC |          |
| 7    | Coperchio Inf.                | Lower Cover                  | A105                       | 316 s.s. |
| 6    | Coperchio Sup.                | Upper Cover                  | A105                       | 316 s.s. |
| 5    | Stelo                         | Stem                         | 410 s.s.                   | 316 s.s. |
| -    | Rivestimento Sfera            | Ball Coating                 | HCR/HTC<br>ST6<br>WC/CRC   |          |
| 4    | Sfera                         | Ball                         | 316 s.s.                   |          |
| 2    | Terminale                     | Body Connector               | A105                       | 316 s.s. |
| 1    | Corpo                         | Body                         | A105                       | 316 s.s. |

P.No. Parte - Part name

Materiale - Material

HTC = Nitruri di Titanio (Titanium Nitrides); HCR = Nitruri di Cromo (Chrome Nitrides); ST6 = Stellite 6 Detonation Gun/HVOF  
WC = Carburi di Tungsteno (Tungsten Carbides Detonation Gun/HVOF); CRC = Carburi di Cromo (Chrome Carbides Detonation Gun/HVOF)