



## TYPE DH6i FIRE HYDRANT REDUCING VALVE

The **DH6i fire hydrant pressure reducing valve** is the latest evolution of the 'DH' range of hydrant reducing valves. As with all the predecessors the valve has been fully designed and tested in accordance with BS5041. This new design has been developed under our approved ISO 9001 design system. The valve is suitable for all fire fighting applications where pressure reduction is required, a balanced inlet design ensures a constant outlet pressure, regardless of any fluctuations in the inlet pressure.

This range of valves are manufactured in a variety of materials, which include Gunmetal, Stainless Steel, Duplex Stainless Steel and Titanium. The valve has a flanged inlet to customers requirements, and a quick release instantaneous coupling outlet. The Inlet pressure is 20.0 Barg maximum with a reduced pressure range of 4.0 to 8.0 Barg.

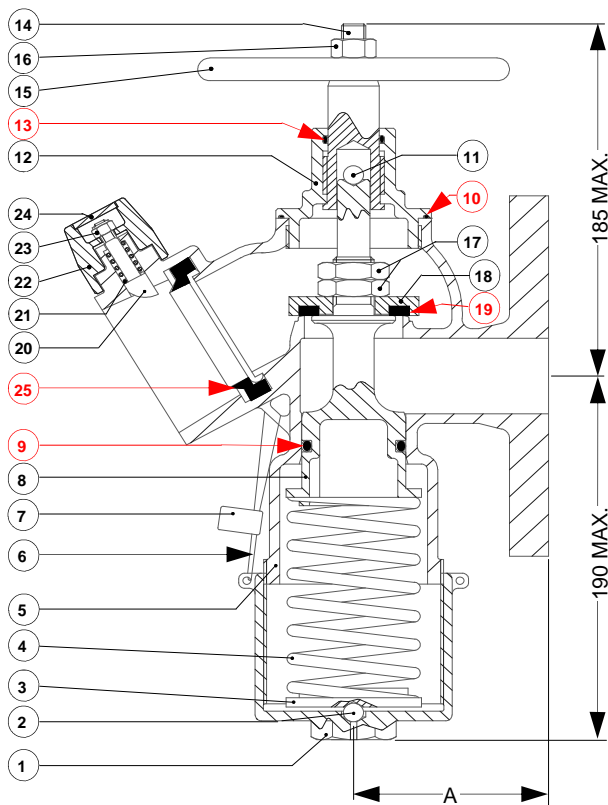
The reduced pressure can be adjusted via the adjusting cap, this design has several advantages over conventional adjusting screw designs. These include the fact that no threads are exposed, making it virtually impossible to damage them. It is also more robust and able to cope with accidental knocks. The valve is locked in position with a

locking wire and seal. This not only prevents the adjusting cap from moving, maintaining a specific reduced pressure, but also provides a simple indication to whether the valve has been tampered with. When the valve is in the closed position it has no water pockets. This means the valve is not effected by freezing, making it ideal for use in sub-zero conditions.

### Installation

All valves should be fitted with the centre line in the vertical position and the hand wheel to the top, flow in the direction of the arrow cast on the side of the body. The pipe must be clean and free from foreign bodies which may damage the valve. All valves are supplied with blanking caps, these should be removed before fitting the valve into the pipe work.

We recommend that the valve is overhauled a minimum of once a year. During the overhaul the valve spring, nitrile components and guides should be checked. All guides should move freely. The spring should be replaced if there is any corrosion or the coils show signs of thinning. Nitrile components should be replaced at the first sign of wear.



These Items are recommended spares.

Item	Description	Material
1	Adjusting Cap	Gunmetal
2	Ball	Stainless Steel
3	Spring Carrier	Aluminium Bronze
4	Spring	Carbon Steel
5	Body	Gunmetal
6	Locking Wire	Stainless Steel
7	Seal	Lead
8	Spindle	Gunmetal
9	Seal	Nitrile
10	O Ring	Nitrile
11	Ball	Stainless Steel
12	Top Cover	Gunmetal
13	O Ring	Nitrile
14	Shutdown Spindle	Aluminium Bronze
15	Hand wheel	Cast Iron
16	Nyloc Nut	Stainless Steel
17	Locknut	Aluminium Bronze
18	Disc Holder	Aluminium Bronze
19	Disc	Nitrile
20	Bolt	Brass
21	Spring	Stainless Steel
22	Winged Cap	Brass
23	Nyloc Nut	Stainless Steel
24	Button	Plastic
25	Seal	Nitrile

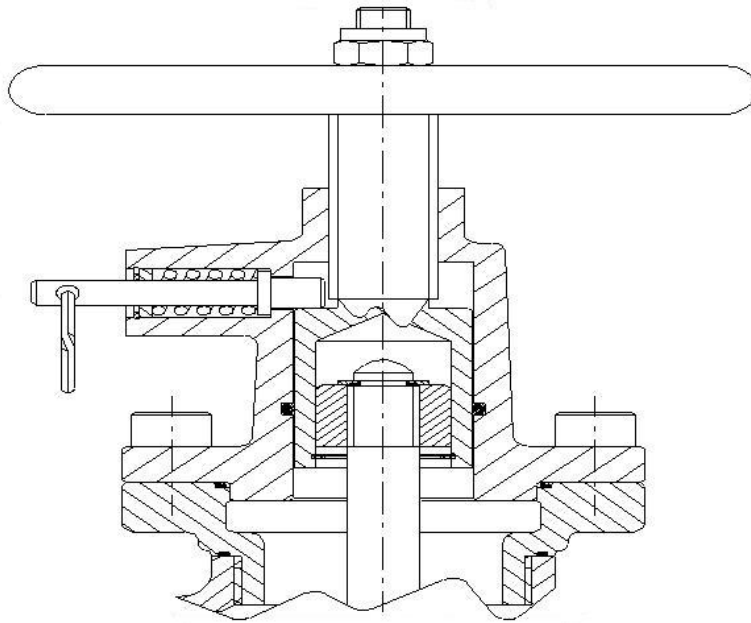
Size	Flange Rating	A
40NB	1½" ANSI150 FF	89
	2" ANSI150 FF	91
	2½" ANSI150 FF	92
	3" ANSI150 FF	94

**Disclaimer**

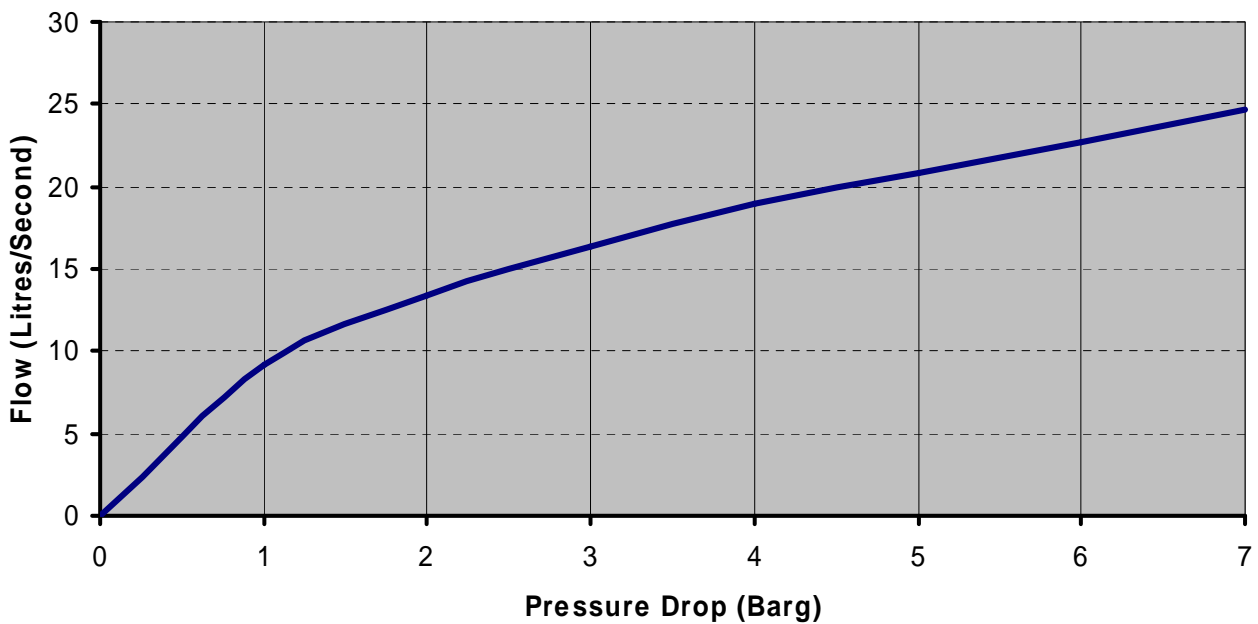
The information, specifications and technical data contained in this catalogue are subject to change without notice. The user should verify all technical data and specifications prior to use. Broady Valves does not warrant that the material and information contained herein is current or correct and assumes no responsibility for the use or misuse of any such material and information by the user.

**TYPE DH6i-S**

The 'S' version allows the valve to work as both a landing valve, fully open in non-reducing mode, and as a standard pressure reducing fire hydrant valve. In both of these modes the valve can be fully closed using the hand wheel.



**DH6I Flow Curve**



**BROADY FLOW CONTROL LIMITED**

English Street, Kingston-Upon-Hull,  
East Yorkshire, HU3 2DU.

Telephone: 01482 619601 Fax: 01482 619701

Email: sales@broady.co.uk Website: www.broady.co.uk